



HIGH GRADE MATERIAL SEAL KIT

高級材質シールキット

HIGH SEALING TECHNOLOGY

## **TOMOHI Seal Kit List.**

**Excavator etc. Cylinder Seal Kit**

KOMATSU ➤	PC—HD—WA—D—GD
HITACHI ➤	EX—ZX—UH
KOBELCO ➤	SK
KATO ➤	HD
SUMITOMO ➤	SH—LS
CAT ➤	MM—MS—E
VOLVO	
HYUNDAI	

**TOMOHI JAPAN**

[www.tomohi.jp](http://www.tomohi.jp)



**HIGH SEALING TECHNOLOGY  
CYLINDER REPAIR SEAL KIT**

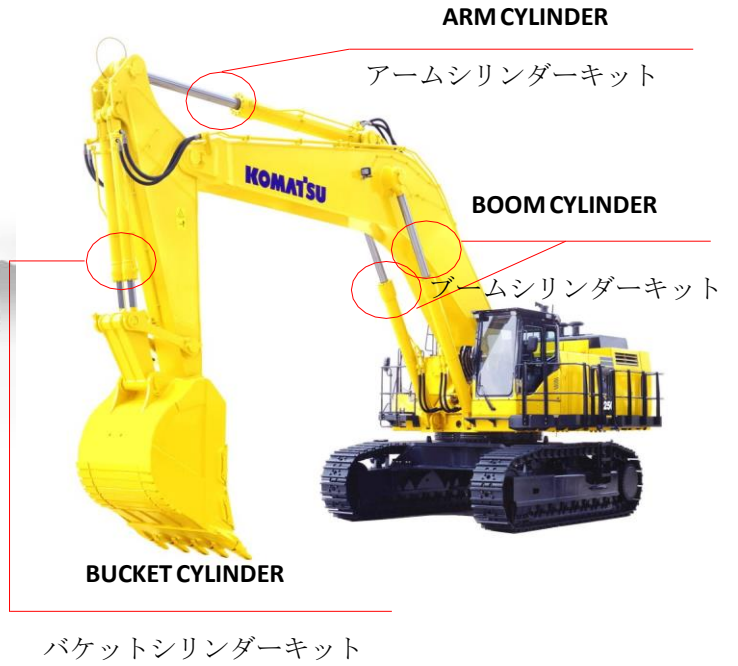


**HIGH GRADE**

Made in Japan

**[www.tomohi.jp](http://www.tomohi.jp)**  
**Made in Japan**

# CYLINDER SEAL KIT in EXCVATOR and etc.



# EQUIPMENT

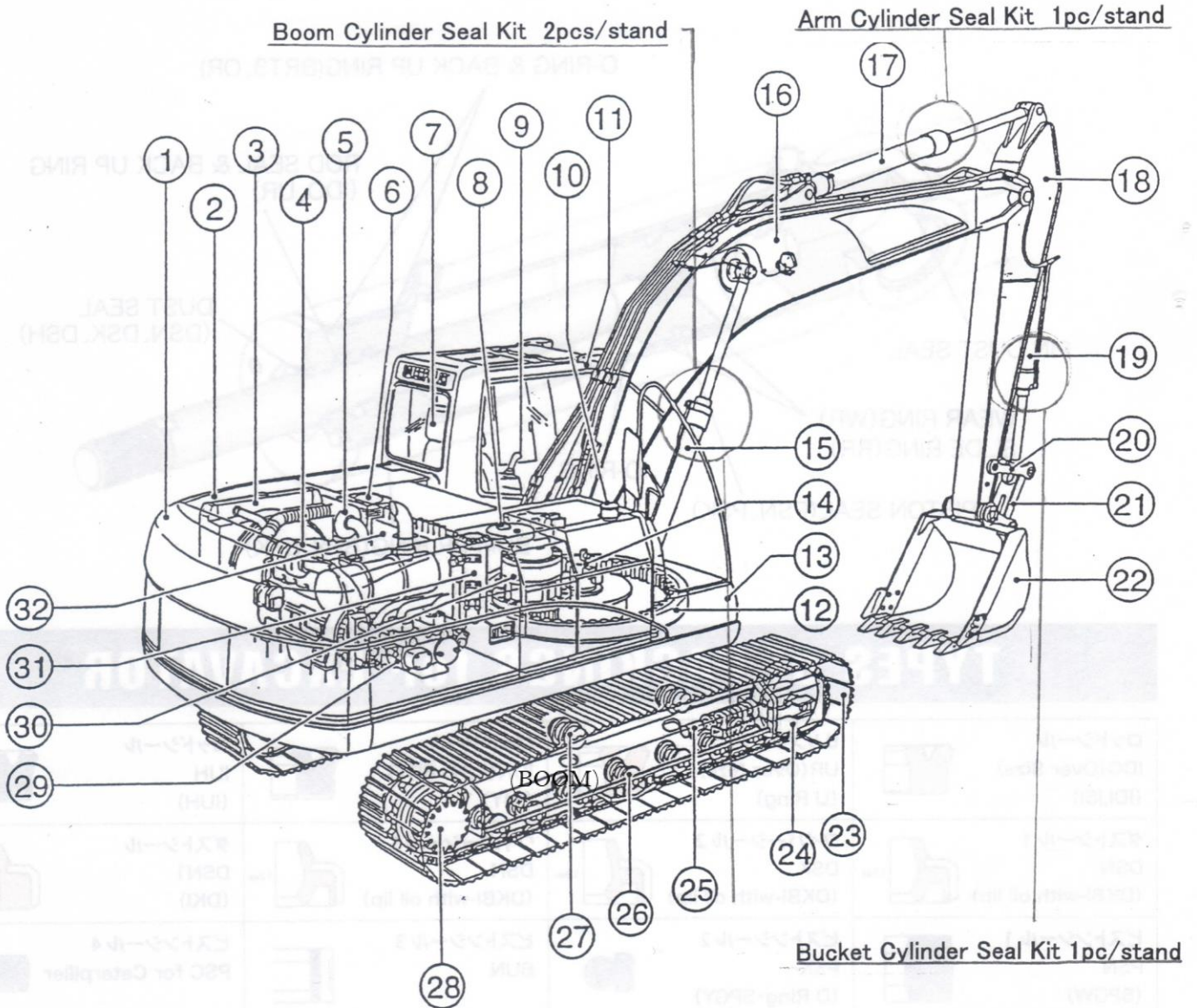


# TOMOHI SEAL KIT



[www.tomohi.jp](http://www.tomohi.jp)

# 油圧式パワーショベルの各部名称

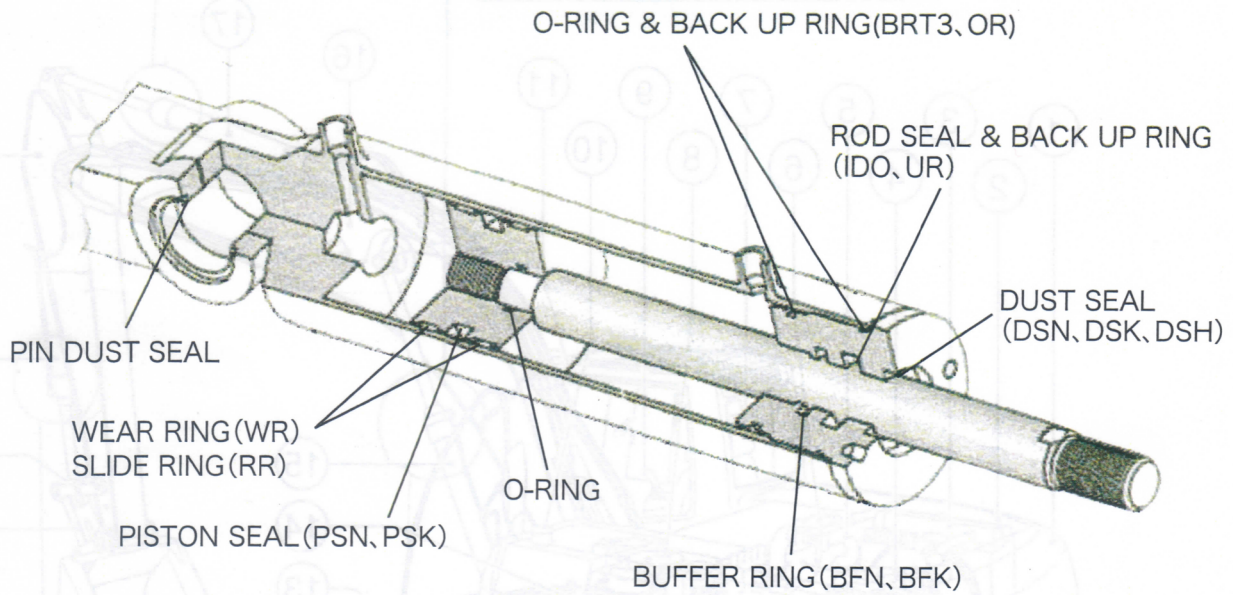


- ① カウンタウエイト
- ② エンジン カバー
- ③ ラジエータ&オイル クーラ
- ④ エンジン
- ⑤ エア クリーナ
- ⑥ バッテリ
- ⑦ オペレータ シート
- ⑧ ハイドロリック タンク
- ⑨ コントロール レバー
- ⑩ フュエル タンク
- ⑪ キャブ

- ⑫ スイング ベアリング
- ⑬ ストレージ ボックス
- ⑭ スイベル ジョイント
- ⑮ ブーム シリンダ (BOOM)
- ⑯ アーム シリンダ (Arm)
- ⑰ アーム (Arm)
- ⑱ バケット シリンダ (Bucket)
- ⑳ リンク
- ㉑ ロッド
- ㉒ バケット

- ㉓ トラック
- ㉔ アイドラ
- ㉕ トラック アジャスタ
- ㉖ トラック ローラ
- ㉗ キャリヤ ローラ
- ㉘ ファイナル ドライブ
- ㉙ ポンプ
- ㉚ スイング ドライブ
- ㉛ カプセル フィルタ
- ㉜ コントロール ハルブ

# APPLICATION EXAMPLE for HYDRAULIC CYLINDER



## TYPES of PACKINGS for EXCAVATOR

ロッドシール IDO (Over Size) (IDI, ISI)		U リング UR (Over Size) (U Ring)		ロッドシール IUN (IUH+BRT) (IUY)		ロッドシール IUH (IUH)	
ダストシール 1 DSN (DKBI-with oil lip)		ワイパーシール 2 DSK (DKBI-with oil lip)		ワイパーシール 3 DSH (DKBI-with oil lip)		ダストシール DSN1 (DKI)	
ピストンシール 1 PSN (SPGW)		ピストンシール 2 PSK (D Ring・SPGY)		ピストンシール 3 BUN		ピストンシール 4 PSC for Caterpillar	
バッファリング 1 BFN (HBY)		バッファリング 2 BFK (SRH45B)		バッファリング 3 BFO (HBTS)		ウェアリング 1 WR (茶色 FB)	
ウェアリング 2 WR (グレイ FG)		スライドリング SR (KZT)		バックアップリング (Oリング用) BRT P & G (PTFE)		バックアップリング (ピストン用) BRNG (Green)	
バックアップリング (ロット用) BRT BRN (Bz40) (MOS2)		O リング OR 1BP OR 1BG (NBR 90)		クッションシール CS		ロッドリング RR	

## EXCAVATOR REPAIR PACKINGS



SK60SR-1			SK60SR-1E			SK60SR-1ES		
Type	Part No	Rod/Buffer	Type	Part No	Rod/Buffer	Type	Part No	Rod/Buffer
Boom	YT01V00001R300	○70859/HBY	Boom	YT01V00001R300	○70859/HBY	Boom	YT01V00001R300	○70859/HBY
Arm	YT01V00002R300	○65809/HBY	Arm	YT01V00002R300	○65809/HBY	Arm	YT01V00002R300	○65809/HBY
Bucket	YT01V00003R300	○55709/HBY	Bucket	YT01V00003R300	○55709/HBY	Bucket	YT01V00003R300	○55709/HBY

SK60-2			SK60-3			SK60-5		
Type	Part No	Rod/Buffer	Type	Part No	Rod/Buffer	Type	Part No	Rod/Buffer
Boom	YR01V00009R300	○65809/HBY	Boom	YR01V00009R300	○65809/HBY	Boom	YR01V00009R300	○65809/HBY
Arm	LE01V00002R300	○60759/HBY	Arm	LE01V00019R300	○60759/HBY	Arm	LE01V00002R300	○60759/HBY
Bucket	YR01V00003R300	○55709/HBY	Bucket	LE01V00020R300	○55709/HBY	Bucket	YR01V00003R300	○55709/HBY

SK70SR-1/SRD			SK70SR-1(ES)			SK75-1		
Type	Part No	Rod/Buffer	Type	Part No	Rod/Buffer	Type	Part No	Rod/Buffer
Boom	YT01V00001R300	○70859/HBY	Boom	YT01V00001R300	○70859/HBY	Boom	UNKNOWN	—
Arm	YT01V00002R300	○65809/HBY	Arm	YT01V00002R300	○65809/HBY	Arm	UNKNOWN	—
Bucket	YT01V00003R300	○55709/HBY	Bucket	YT01V00003R300	○55709/HBY	Bucket	YT01V00003R300	○55709/HBY

SK75UR-1/2			SK75UR-3			SK75UR-3E		
Type	Part No	Rod/Buffer	Type	Part No	Rod/Buffer	Type	Part No	Rod/Buffer
Boom	YR01V00001R300	○70859/HBY	Boom	YR01V00012R300	○70859/HBY	Boom	YR01V00012R300	○70859/HBY
Arm	YR01V00006R300	○70859/HBY	Arm	YR01V00013R300	○70859/HBY	Arm	YR01V00013R300	○70859/HBY
Bucket	YR01V00003R300	○55709/HBY	Bucket	YT01V00003R300	○55709/HBY	Bucket	YT01V00003R300	○55709/HBY

SK100-1			SK100W-1/2			SK100-2/3		
Type	Part No	Rod/Buffer	Type	Part No	Rod/Buffer	Type	Part No	Rod/Buffer
Boom	2438U1123R300	○70859/HBY	Boom	2438U1099R300	○70859/HBY	Boom	YW01V00001R300	○65809/HBY
Arm	2438U1125R300	○75909/HBY	Arm	2438U1098R300	○75909/HBY	Arm	YW01V00002R300	○75909/HBY
Bucket	2438U1097R300	○65809/HBY	Bucket	2438U1097R300	○65809/HBY	Bucket	YW01V00003R300	○65809/HBY

SK100-V			SK115-1			SK115 SR-1		
Type	Part No	Rod/Buffer	Type	Part No	Rod/Buffer	Type	Part No	Rod/Buffer
Boom	YW01V00001R300	○65809/HBY	Boom	YV01V00001R300	○65809/HBY	Boom	YV01V00001R300	○65809/HBY
Arm	YW01V00002R300	○75909/HBY	Arm	YV01V00003R300	○75909/HBY	Arm	YV01V00003R300	○75909/HBY
Bucket	YW01V00003R300	○65809/HBY	Bucket	YV01V00004R300	—	Bucket	YX01V00005R300	○65809/HBY

SK115 SR-1ES			SK120-1			SK120-2/3		
Type	Part No	Rod/Buffer	Type	Part No	Rod/Buffer	Type	Part No	Rod/Buffer
Boom	YV01V00001R300	○65809/HBY	Boom	2438U1133R300	○70859/HBY	Boom	LP01V00001R300	○70859/HBY
Arm	YV01V00003R300	○75909/HBY	Arm	2438U1132R300	○80959/HBY	Arm	LP01V00002R300	○80959/HBY
Bucket	YX01V00005R300	○65809/HBY	Bucket	2438U1131R300	○65809/HBY	Bucket	YW01V00003R300	○65809/HBY

SK120-V			SK130UR-1			SK130UR-1E		
Type	Part No	Rod/Buffer	Type	Part No	Rod/Buffer	Type	Part No	Rod/Buffer
Boom	LP01V00001R300	○70859/HBY	Boom	YX01V00002R300	○70859/HBY	Boom	YX01V00002R300	○70859/HBY
Arm	LP01V00002R300	○80959/HBY	Arm	YX01V00004R300	○80959/HBY	Arm	YX01V00004R300	○80959/HBY
Bucket	YW01V00003R300	○65809/HBY	Bucket	YX01V00005R300	○65809/HBY	Bucket	YX01V00005R300	○65809/HBY

SK130-8			SK135SR-1			SK135 SR-1E		
Type	Part No	Rod/Buffer	Type	Part No	Rod/Buffer	Type	Part No	Rod/Buffer
Boom	YY01V00053R300	○70859/HBY	Boom	YY01V00001R300	○70859/HBY	Boom		○70859/HBY
Arm	YY01V00054R300	○80959/HBY	Arm	YY01V00003R300	○80959/HBY	Arm	UNKNOWN	○80959/HBY
Bucket	YY01V00055R300	○65809/HBY	Bucket	YX01V00005R300	○65809/HBY	Bucket		○65809/HBY

SK135 SRD-1			SK135SR-1ES			SK135SR-2		
Type	Part No	Rod/Buffer	Type	Part No	Rod/Buffer	Type	Part No	Rod/Buffer
Boom		—	Boom		○708310/HBY	Boom	YY01V00053R300	○70859/HBY
Arm	UNKNOWN	—	Arm	UNKNOWN	○809310/HBY	Arm	YY01V00054R300	○80959/HBY
Bucket		○IUH65809/HBY	Bucket		○657810/HBY	Bucket	YY01V00055R300	○65809/HBY

SK145-1			SK200-1/LC			SK200-1/3		
Type	Part No	Rod/Buffer	Type	Part No	Rod/Buffer	Type	Part No	Rod/Buffer
Boom	YY01V00001R300	○70859/HBY	Boom	2438U1102R300	○851009/HBY	Boom	2438U1102R300	○851009/HBY
Arm	YY01V00003R300	○80959/HBY	Arm	2438U1104R300	○10012012/HBY	Arm	2438U1104R300	○10012012/HBY
Bucket	YX01V00005R300	○65809/HBY	Bucket	2438U1105R300	○80959/HBY	Bucket	2438U1105R300	○80959/HBY

前期 SK200 SR-1			後期 SK200 SR-1			SK200-2/3		
Type	Part No	Rod/Buffer	Type	Part No	Rod/Buffer	Type	Part No	Rod/Buffer
Boom		○80959/HBY	Boom		○80959/HBY	Boom	YN01V00001R300	○80959/HBY
Arm	UNKNOWN	○901059/HBY	Arm	UNKNOWN	○901059/HBY	Arm	YN01V00003R300	○951109/HBY
Bucket		○75909/HBY	Bucket		○75909/HBY	Bucket	YN01V00004R300	○75909/HBY

SK200-III			SK200-5/6			SK200-V		
Type	Part No	Rod/Buffer	Type	Part No	Rod/Buffer	Type	Part No	Rod/Buffer
Boom	2438U1106R300	○851009/HBY	Boom	YN01V00052R300	○851009/HBY	Boom	YN01V00001R300	○80959/HBY
Arm	2438U1108R300	○1001159/HBY	Arm	YN01V00039R300	○951109/HBY	Arm	YN01V00003R300	○951109/HBY
Bucket	2438U1109R300	○80959/HBY	Bucket	YN01V00068R300	○80959/HBY	Bucket	YN01V00004R300	○75909/HBY

SK200-VI			SK200-6E			SK200-8 耐熱材 IDI/HBY		
Type	Part No	Rod/Buffer	Type	Part No	Rod/Buffer	Type	Part No	Rod/Buffer
Boom	YN01V00103R300	○851009/HBY	Boom	YN01V00103R900	○851009/HBY	Boom	YN01V00103R900	○851009/HBY
Arm	YN01V00105R300	○951109/HBY	Arm	YN01V00105R900	○951109/HBY	Arm	YN01V00105R900	○951109/HBY
Bucket	YN01V00112R300	○80959/HBY	Bucket	YN01V00112R900	○80959/HBY	Bucket	YN01V00112R900	○80959/HBY

SK200-8 耐熱材 IDI/HBY			SK210-VI			SK210-8 耐熱材 IDI/HBY		
Type	Part No	Rod/Buffer	Type	Part No	Rod/Buffer	Type	Part No	Rod/Buffer
Boom	YN01V00151R300	○851009/HBY	Boom	YN01V00103R300	○851009/HBY	Boom	YN01V00103R900	○851009/HBY
Arm	YN01V00175R300	○951109/HBY	Arm	YN01V00105R300	○951109/HBY	Arm	YN01V00105R900	○951109/HBY
Bucket	YN01V00153R300	○80959/HBY	Bucket	YN01V00112R300	○80959/HBY	Bucket	YN01V00112R900	○80959/HBY

SK210-8 耐熱材 IDI/HBY			SK210HD LC-8 耐熱材 IDI/HBY			前期 SK220-1		
Type	Part No	Rod/Buffer	Type	Part No	Rod/Buffer	Type	Part No	Rod/Buffer
Boom	YN01V00151R300	○851009/HBY	Boom	YN01V00200R300	8510010/HBY	Boom	2438U1135R300	○901059/HBY
Arm	YN01V00175R300	○951109/HBY	Arm	YN01V00201R300	9511010/HBY	Arm	2438U1137R300	○10512512/HBY
Bucket	YN01V00153R300	○80959/HBY	Bucket	YN01V00202R300	809510/HBY	Bucket	2438U1138R300	○851009/HBY

後期 SK220-1			SK220LC-1			SK220-2/3		
Type	Part No	Rod/Buffer	Type	Part No	Rod/Buffer	Type	Part No	Rod/Buffer
Boom	2438U999R300	○901059/HBY	Boom	2438U999R300	○901059/HBY	Boom	LQ01V00001R300	○901059/HBY
Arm	2438U953R300	○10512512/HBY	Arm	2438U953R300	○10512512/HBY	Arm	LQ01V00003R300	○10012012/HBY
Bucket	2438U959R300	○851009/HBY	Bucket	2438U959R300	○851009/HBY	Bucket	LQ01V00004R300	○851009/HBY

SK220-V			SK230-6/SK200VS			101-656 SK235SR-1		
Type	Part No	Rod/Buffer	Type	Part No	Rod/Buffer	Type	Part No	Rod/Buffer
Boom	LQ01V00001R300	○901059/HBY	Boom	LQ01V00001R300	○901059/HBY	Boom	YN01V0052R300	○851009/HBY
Arm	LQ01V00003R300	○10012012/HBY	Arm	LQ01V00007R300	○1001159/HBY	Arm	YN01V0039R300	○951109/HBY
Bucket	LQ01V00004R300	○851009/HBY	Bucket	LQ01V00008R300	○851009/HBY	Bucket	YN01V0068R300	○80959/HBY



1201- SK235SR-1/SK200-5/6			SK250-8 耐熱材 IDI/HBY			SK300-1/2		
Type	Part No	Rod/Buffer	Type	Part No	Rod/Buffer	Type	Part No	Rod/Buffer
Boom	YN01V00052R300	○851009/HBY	Boom	LQ01V00028R300	○9511010/HBY	Boom	2438U1324R300	○10012012/HBY
Arm	YN01V00039R300	○951109/HBY	Arm	LQ01V00038R300	○10512010/HBY	Arm	2438U1323R300	○11013012/HBY
Bucket	YN01V00068R300	○80959/HBY	Bucket	LQ01V00030R300	○8510010/HBY	Bucket	2438U1324R300	○10012012/HBY

SK300- I / II / III			SK310-2/3			SK320-2/3		
Type	Part No	Rod/Buffer	Type	Part No	Rod/Buffer	Type	Part No	Rod/Buffer
Boom	2438U1170R300	○10012012/HBY	Boom	2438U1170R300	○10012012/HBY	Boom	2438U1170R300	○10012012/HBY
Arm	2438U1171R300	○12014012/HBY	Arm	2438U1171R300	○12014012/HBY	Arm	2438U1171R300	○12014012/HBY
Bucket	2438U1172R300	○10012012/HBY	Bucket	2438U1172R300	○10012012/HBY	Bucket	2438U1172R300	○10012012/HBY

SK320-6			SK330-6			SK330-6E		
Type	Part No	Rod/Buffer	Type	Part No	Rod/Buffer	Type	Part No	Rod/Buffer
Boom	LC01V00007R300	○1001159/HBY	Boom	LC01V00007R300	○1001159/HBY	Boom	LQ01V0007R300	○1001159/HBY
Arm	LC01V00005R300	○12014012/HBY	Arm	LC01V00005R300	○12014012/HBY	Arm	2438U953R300	○10512512/HBY
Bucket	LC01V00006R300	○1001159/HBY	Bucket	LC01V00006R300	○1001159/HBY	Bucket	2438U959R300	○851009/HBY

SK330-8 耐熱材 IDI/HBY			SK350-8 耐熱材 IDI/HBY			SK400-1/2/3		
Type	Part No	Rod/Buffer	Type	Part No	Rod/Buffer	Type	Part No	Rod/Buffer
Boom	LC01V00044R300	○1001159/HBY	Boom	LC01V00044R300	○1001159/HBY	Boom	2438U1173R300	○1151309/HBY
Arm	LC01V00054R300	○1201359/HBY	Arm	LC01V00054R300	○1201359/HBY	Arm	2438U1174R300	○1301459/HBY
Bucket	LC01V00055R300	○1001159/HBY	Bucket	LC01V00055R300	○1001159/HBY	Bucket	2438U1175R300	○1101259/HBY

SK430-1/2/3			SK450-1/2/3			SK450-6		
Type	Part No	Rod/Buffer	Type	Part No	Rod/Buffer	Type	Part No	Rod/Buffer
Boom	2438U1173R300	○1151309/HBY	Boom	2438U1173R300	○1151309/HBY	Boom	2438U1173R300	○1151309/HBY
Arm	2438U1174R300	○1301459/HBY	Arm	2438U1174R300	○1301459/HBY	Arm	2438U1174R300	○1301459/HBY
Bucket	2438U1175R300	○1101259/HBY	Bucket	2438U1175R300	○1101259/HBY	Bucket	2438U1175R300	○1101259/HBY

SK450-6			SK460-8			SK480-6E		
Type	Part No	Rod/Buffer	Type	Part No	Rod/Buffer	Type	Part No	Rod/Buffer
Boom	LS01V00001R300	1151309/HBY	Boom		—	Boom	LS01V00001R300	○1151309/HBY
Arm	LS01V00003R300	1301459/HBY	Arm		—	Arm	LS01V00003R300	○1301459/HBY
Bucket	LS01V00004R300	1101259/HBY	Bucket	LS01V00057R300	—	Bucket	LS01V00004R300	○1101259/HBY

Type	Part No	Rod/Buffer	Type	Part No	Rod/Buffer	Type	Part No	Rod/Buffer
Boom			Boom			Boom		
Arm			Arm			Arm		
Bucket			Bucket			Bucket		

SK03-1/2			SK03-N II			SK035-1		
Type	Part No	Rod/Buffer	Type	Part No	Rod/Buffer	Type	Part No	Rod/Buffer
Boom	2438U721R300	○70859/HBY	Boom	2438U721R300	○70859/HBY	Boom	2438U715R300	—
Arm	2438U716R300	○65809/HBY	Arm	2438U716R300	○65809/HBY	Arm	2438U716R300	○65809/HBY
Bucket	2438U717R300	○60759/HBY	Bucket	2438U717R300	○60759/HBY	Bucket	2438U717R300	○60759/HBY

SK04-N II			SK04-2			SK045-N2		
Type	Part No	Rod/Buffer	Type	Part No	Rod/Buffer	Type	Part No	Rod/Buffer
Boom	2438U989R300	○70859/HBY	Boom	2438U989R300	○70859/HBY	Boom	2438U971R300	○70859/HBY
Arm	2438U991R300	○75909/HBY	Arm	2438U991R300	○75909/HBY	Arm	2438U973R300	○80959/HBY
Bucket	2438U992R300	○65809/HBY	Bucket	2438U992R300	○65809/HBY	Bucket	2438U974R300	○65809/HBY

SK07-2			SK07-N2			K907-II		
Type	Part No	Rod/Buffer	Type	Part No	Rod/Buffer	Type	Part No	Rod/Buffer
Boom	2438U996R300	○851009/HBY	Boom	2438U914R300	○851009/HBY	Boom	2438U996R300	○851009/HBY
Arm	2438U941R300	○1001159/HBY	Arm	2438U921R300	○951109/HBY	Arm	2438U941R300	○1001159/HBY
Bucket	2438U995R300	○80959/HBY	Bucket	2438U915R300	○75909/HBY	Bucket	2438U995R300	○80959/HBY

K907C			K907D			K909-II Old		
Type	Part No	Rod/Buffer	Type	Part No	Rod/Buffer	Type	Part No	Rod/Buffer
Boom	2438U624R300	○851009/HBY	Boom	2438U914R300	○851009/HBY	Boom	2438U1135R300	○901059/HBY
Arm	2438U552R300	○901059/HBY	Arm	2438U921R300	○951109/HBY	Arm	2438U1137R300	○10512512/HBY
Bucket	2438U553R300	○75909/HBY	Bucket	2438U915R300	○75909/HBY	Bucket	2438U1138R300	○851009/HBY

K909-II			SK912-2					
Type	Part No	Rod/Buffer	Type	Part No	Rod/Buffer	Type	Part No	Rod/Buffer
Boom	2438U999R300	○901059/HBY	Boom	2438U1324R300	○10012012/HBY	Boom		
Arm	2438U953R300	○10512512/HBY	Arm	2438U1323R300	○11013012/HBY	Arm		
Bucket	2438U959R300	○851009/HBY	Bucket	2438U1324R300	○10012012/HBY	Bucket		